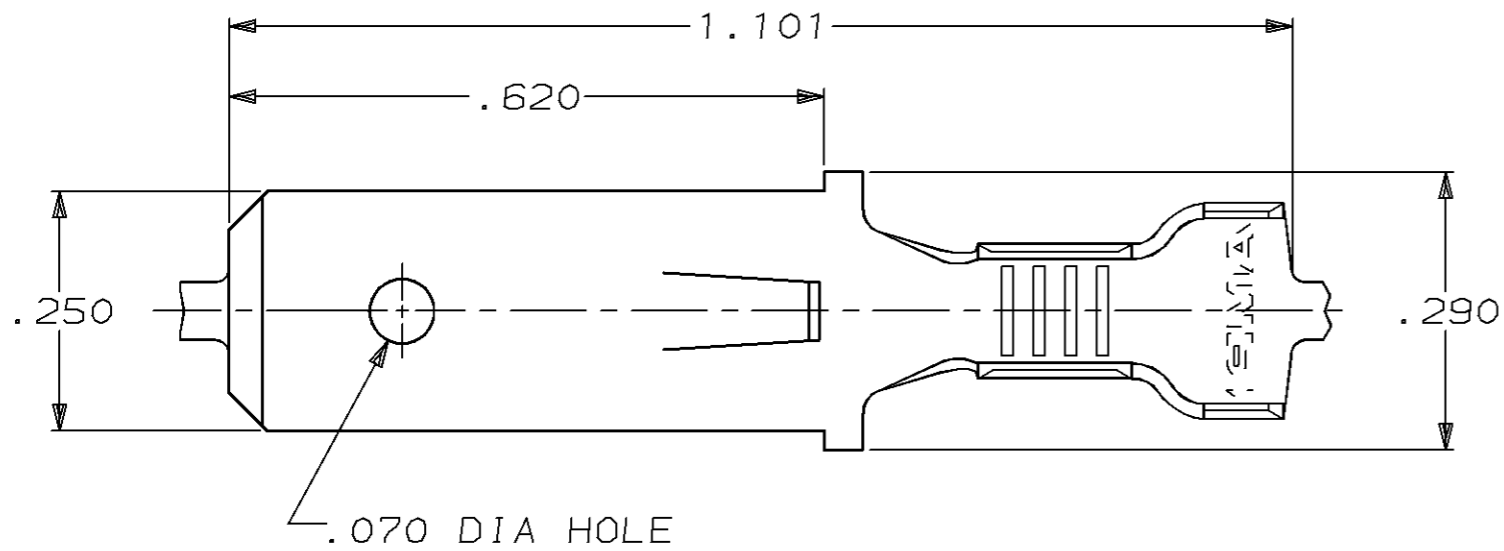
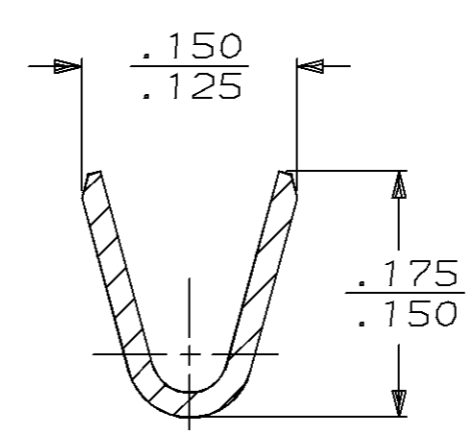
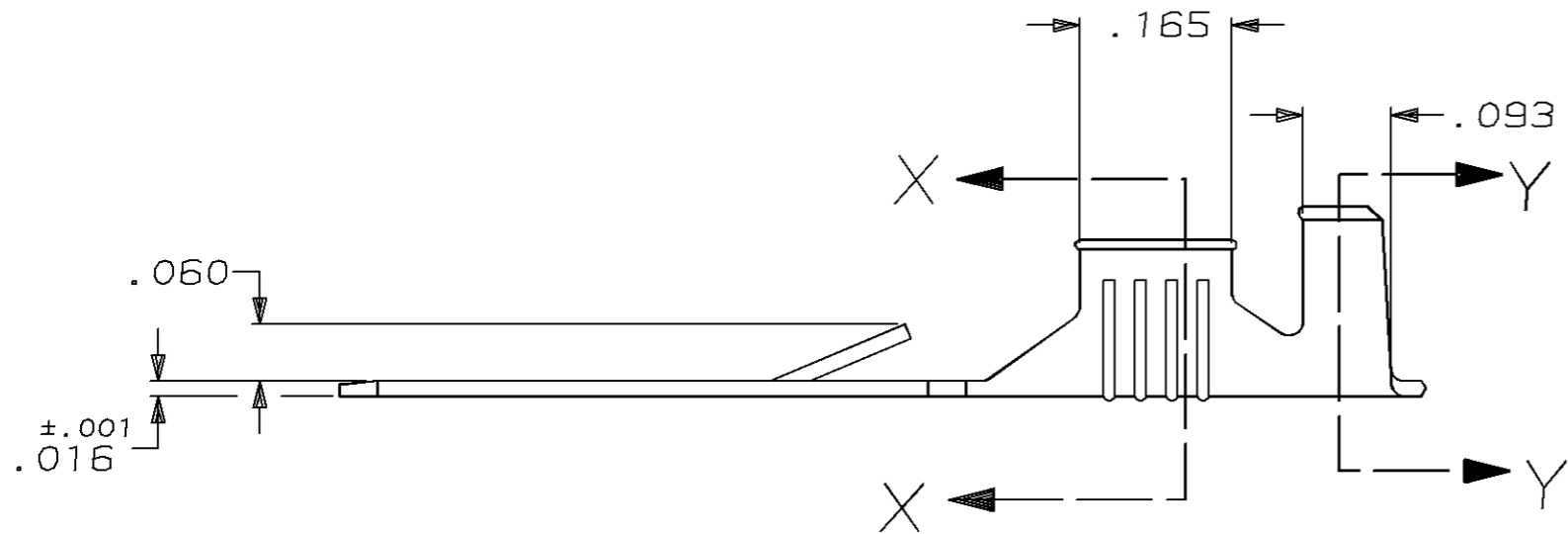


THIS DRAWING IS UNPUBLISHED. RELEASED FOR PUBLICATION, 19
 © COPYRIGHT 19 BY AMP INCORPORATED. ALL INTERNATIONAL RIGHTS RESERVED.

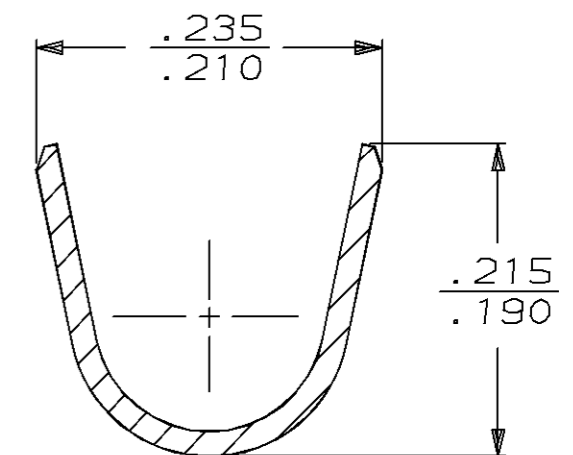
LOC	DIST	P	F	REVISIONS				
AF	50			ZONE	LTR	DESCRIPTION	DATE	APPD
					Y	OBS -1 PER 0L10-0086-96	10/1/96	JR/JG



1 FOREIGN PRODUCTION ONLY.
 2 CONTINUOUS STRIP ON REELS.



SECTION X-X
SCALE 8:1



SECTION Y-Y
SCALE 8:1

OBSOLETE	SILVER	.120-.145	18-14	42580-3
	TIN .000080 MIN	.120-.145	18-14	42580-2
OBSOLETE	-	.120-.145	18-14	42580-1

FINISH	INSUL RANGE	WIRE SIZE	PART NO
DO NOT SCALE PRINT. UNLESS SPECIFIED DIMENSIONS IN INCHES TOLERANCES ON: 2 PLC DEC ± - 3 PLC DEC ± .010 ANGLES ± -	DR 12/17/90 JR RUTH CHK 12/17/90 MS FEHER APPD 12/17/90 J GILLESPIE APPD 12/17/90 D REINER PRODUCT SPEC -	AMP	AMP Incorporated Harrisburg, PA 17105-3608
MATERIAL #2H BRASS	APPLICATION SPEC -	NAME TAB, FASTIN-FASTON,™ .250 SERIES	
FINISH SEE TABLE	WEIGHT -	SIZE B	CAGE CODE 00779
		DRAWING NO 42580	
		SCALE 5:1	SHEET 1 OF 1

